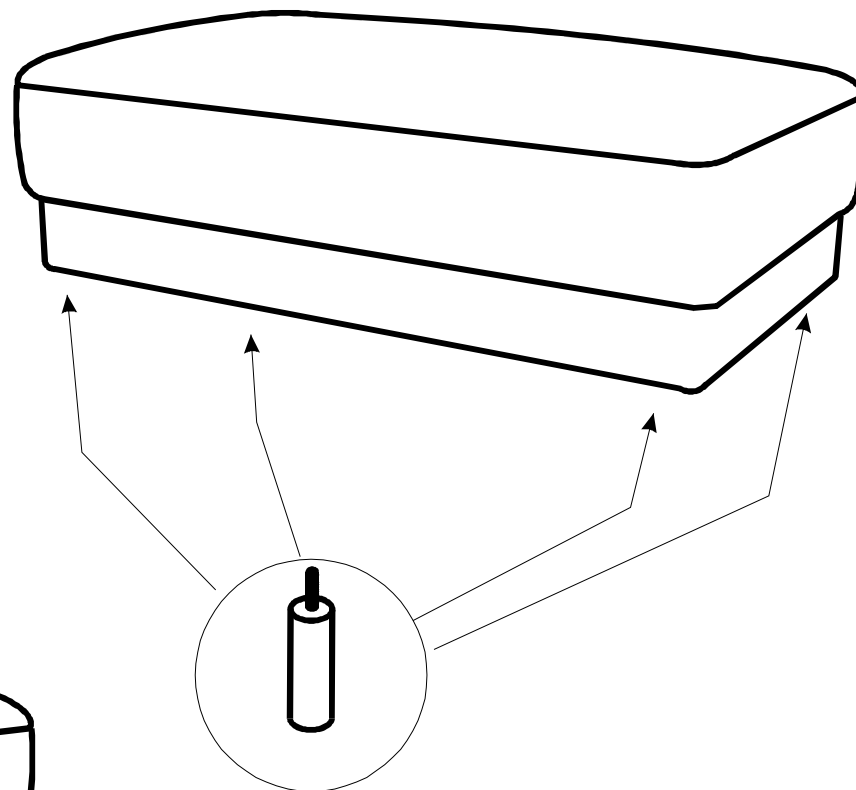
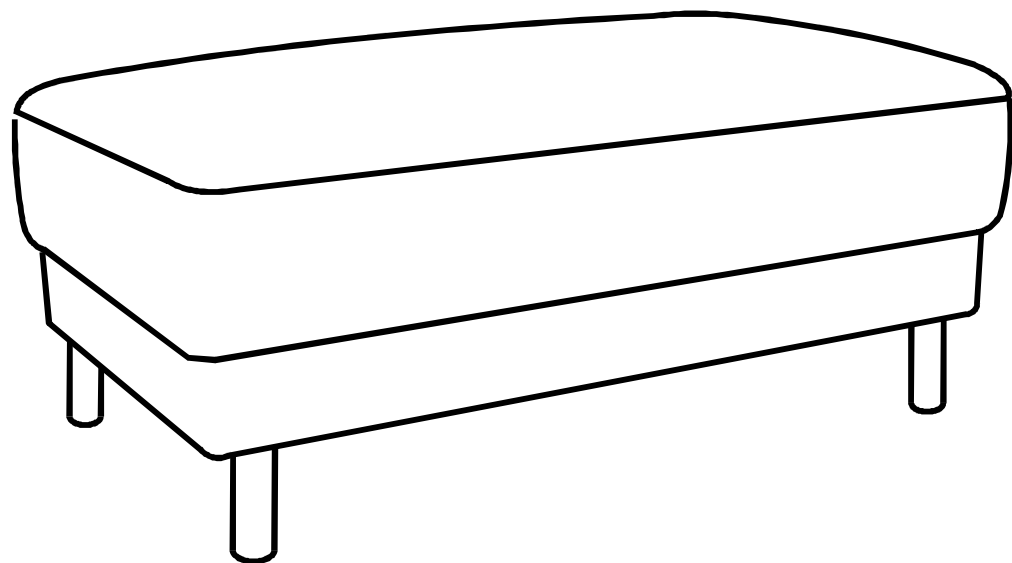
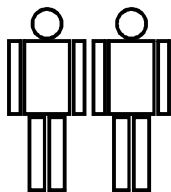


# Cleveland puff



- H=120 X4