

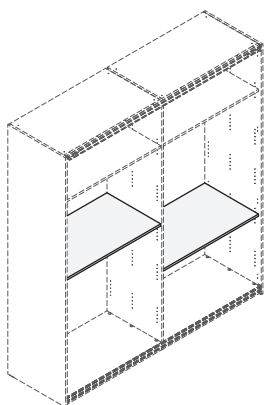
# PI8977K76704



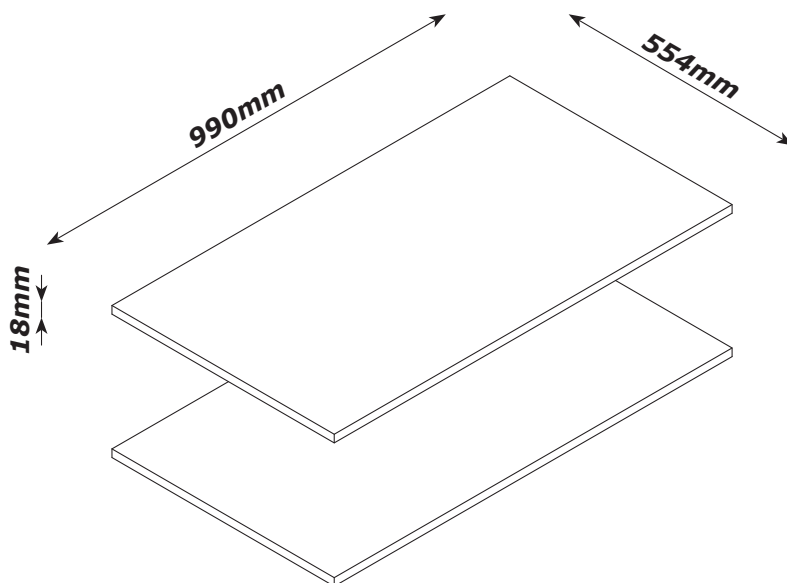
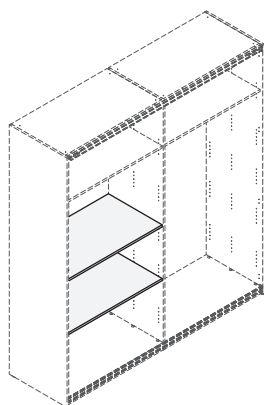
FSC  
www.fsc.org

MIX  
Wood from  
responsible sources  
FSC® C011298

A



B



QF5524

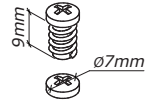


0,5h

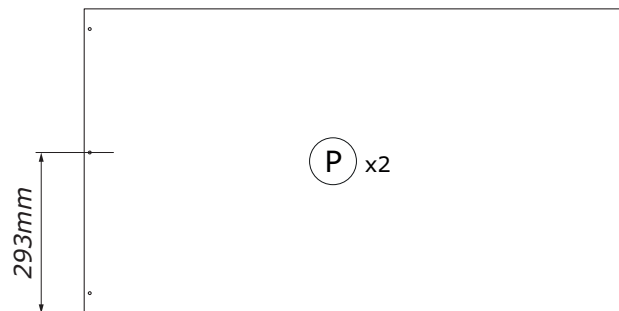
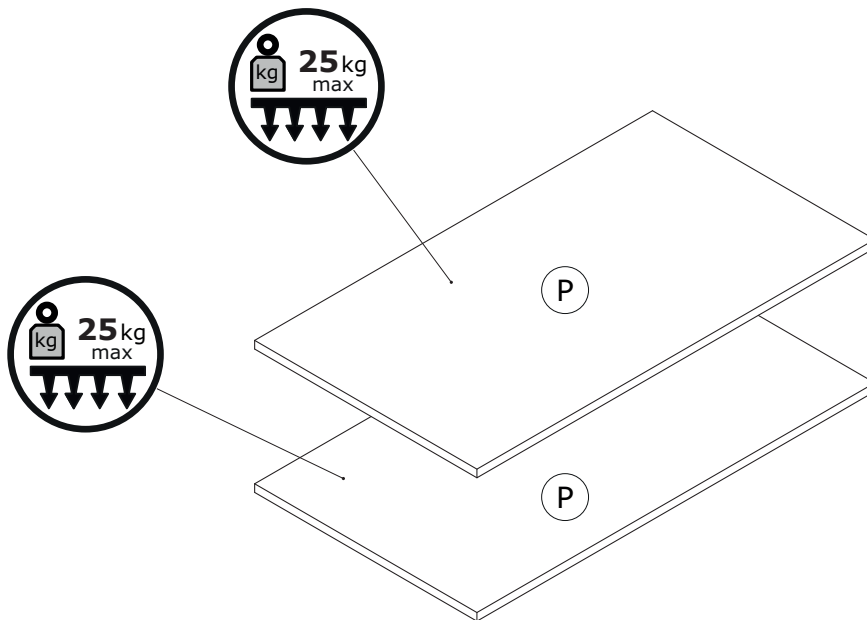
**BU4638**



**R5**  
x12



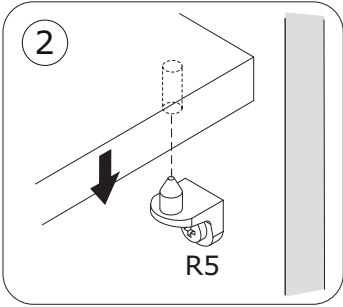
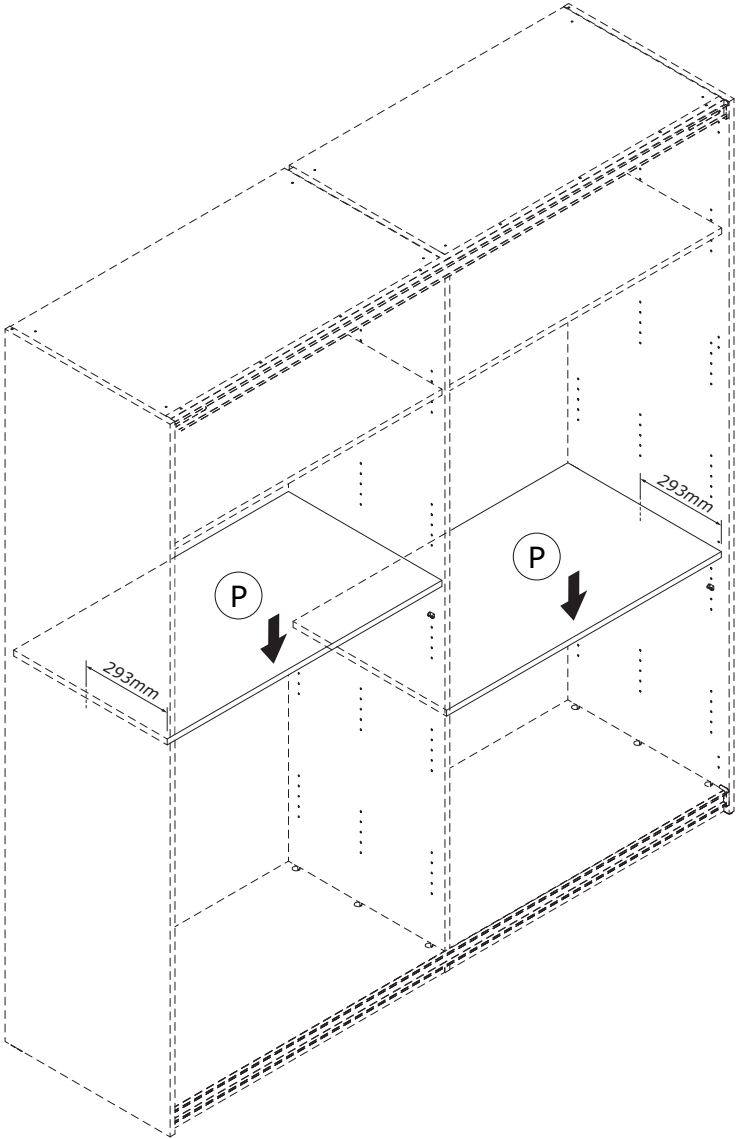
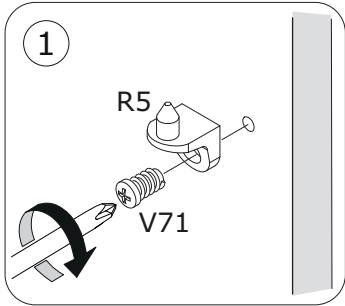
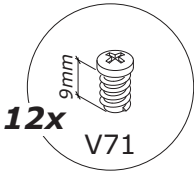
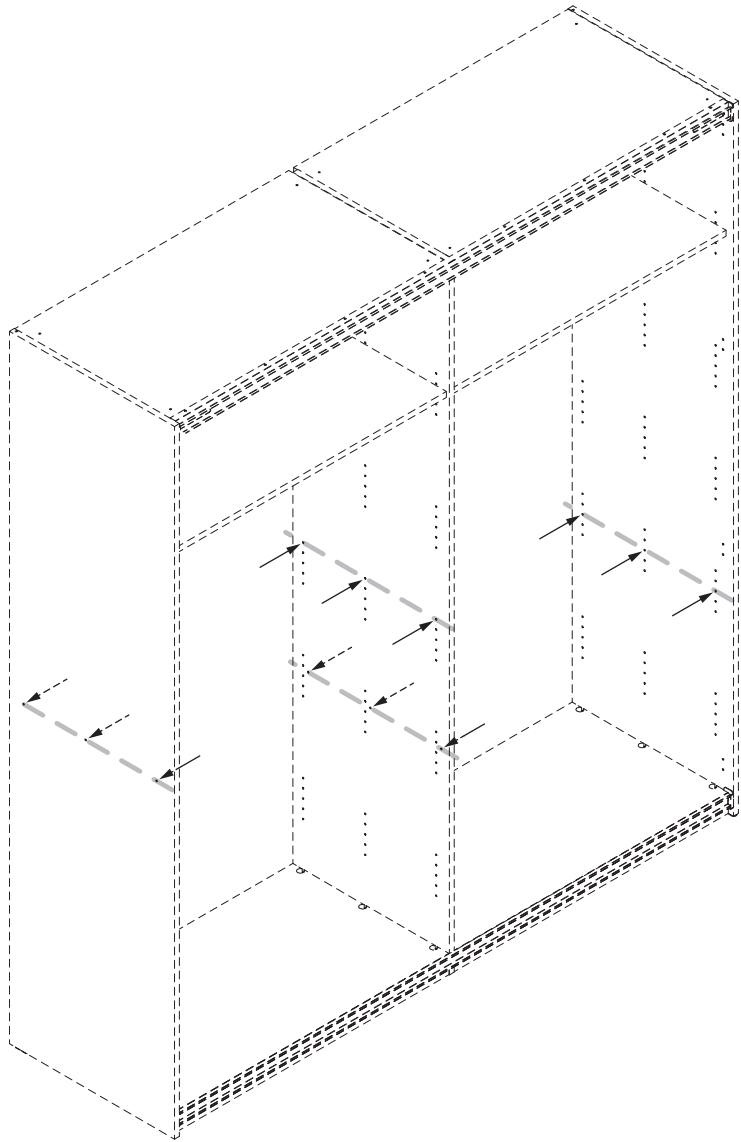
**V71**  
x12



**PI7336**  
990x554x18mm

1

A



2

B

