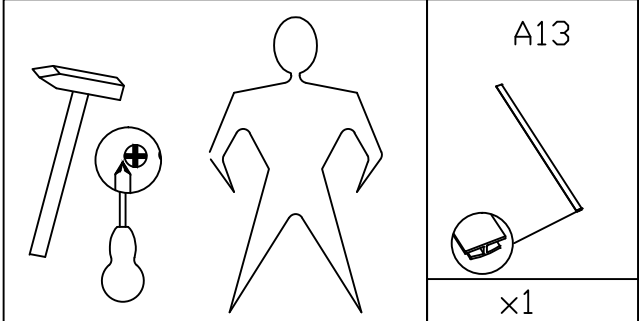
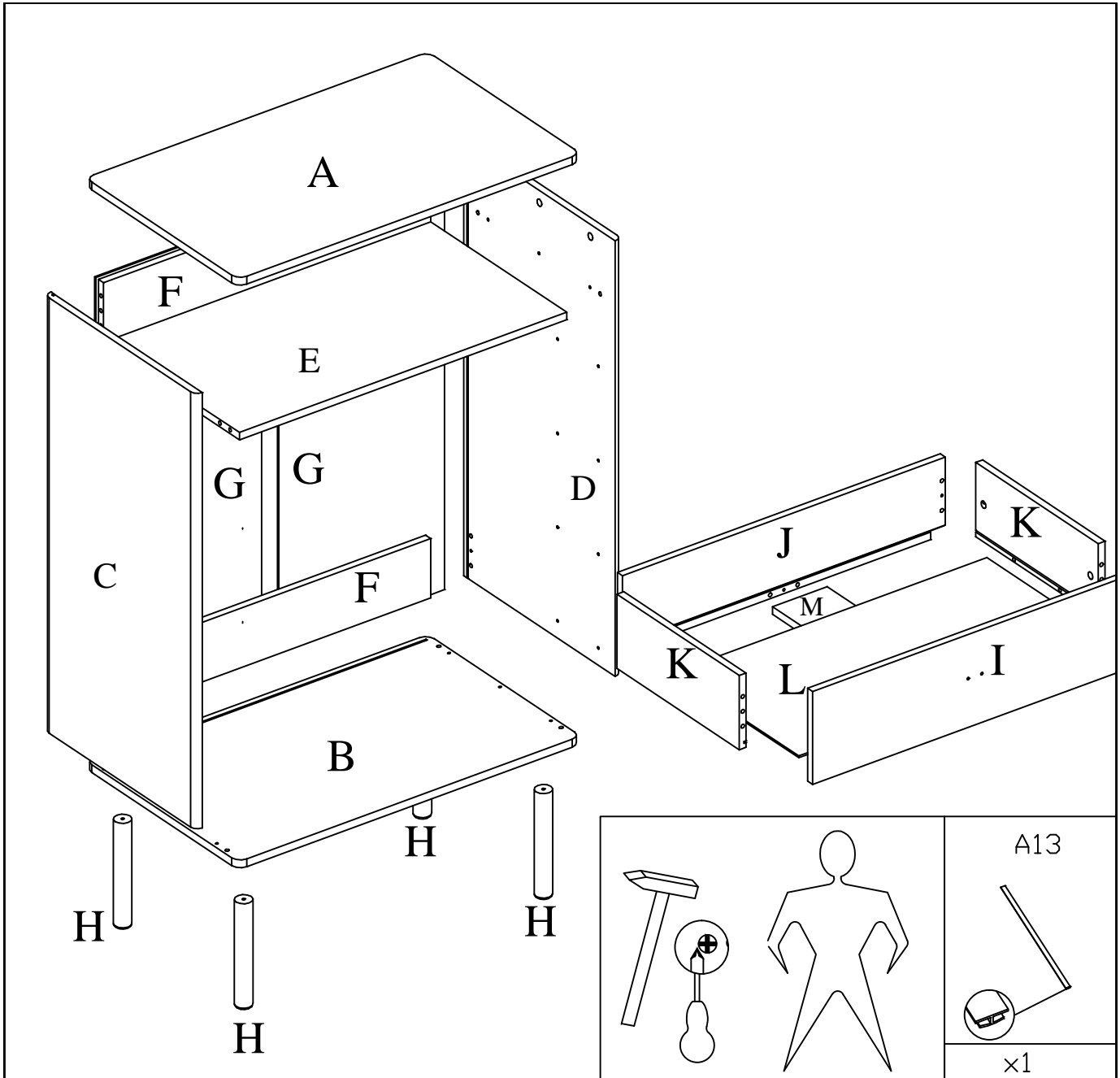
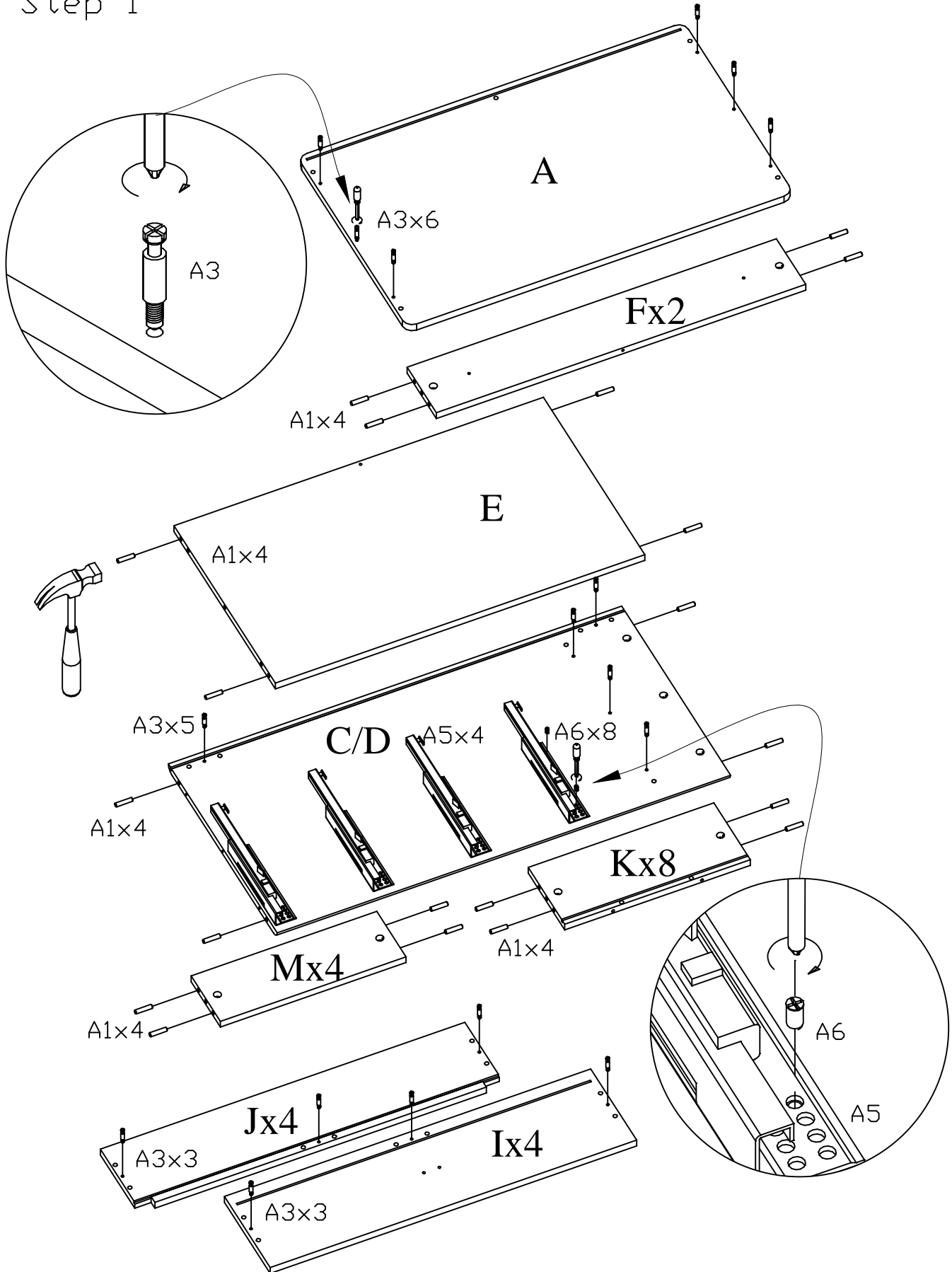


Ref. no

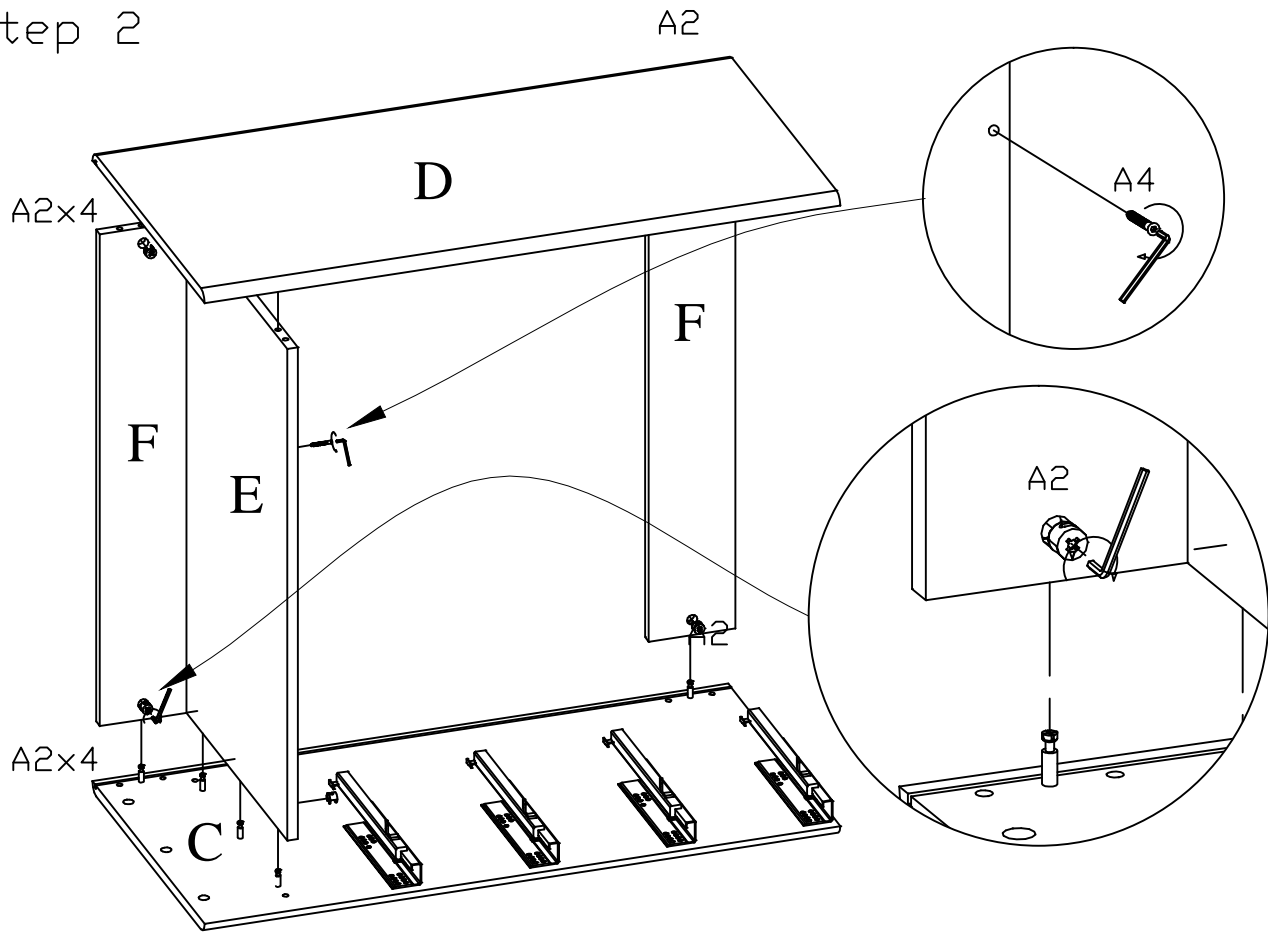


	A1	A2	A3	A4	A5	A6
	∅8x35				410mm	∅6,3x11
QTY	x68	x40	x40	x7	x4	x16
	A7	A8	A9	A10	A11	A12
	4mm/3mm					
QTY	x1/x1	x4	x24	x4	x4	x16

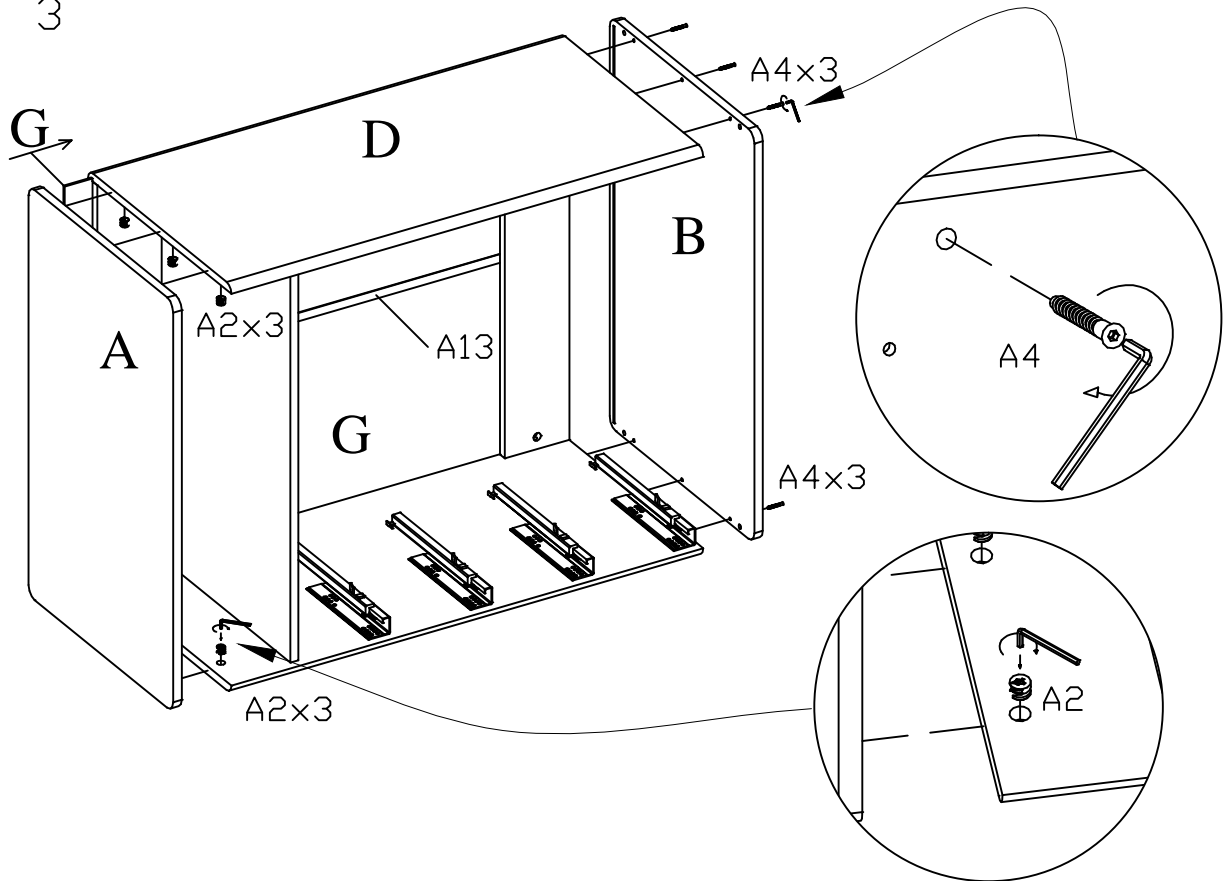
Step 1



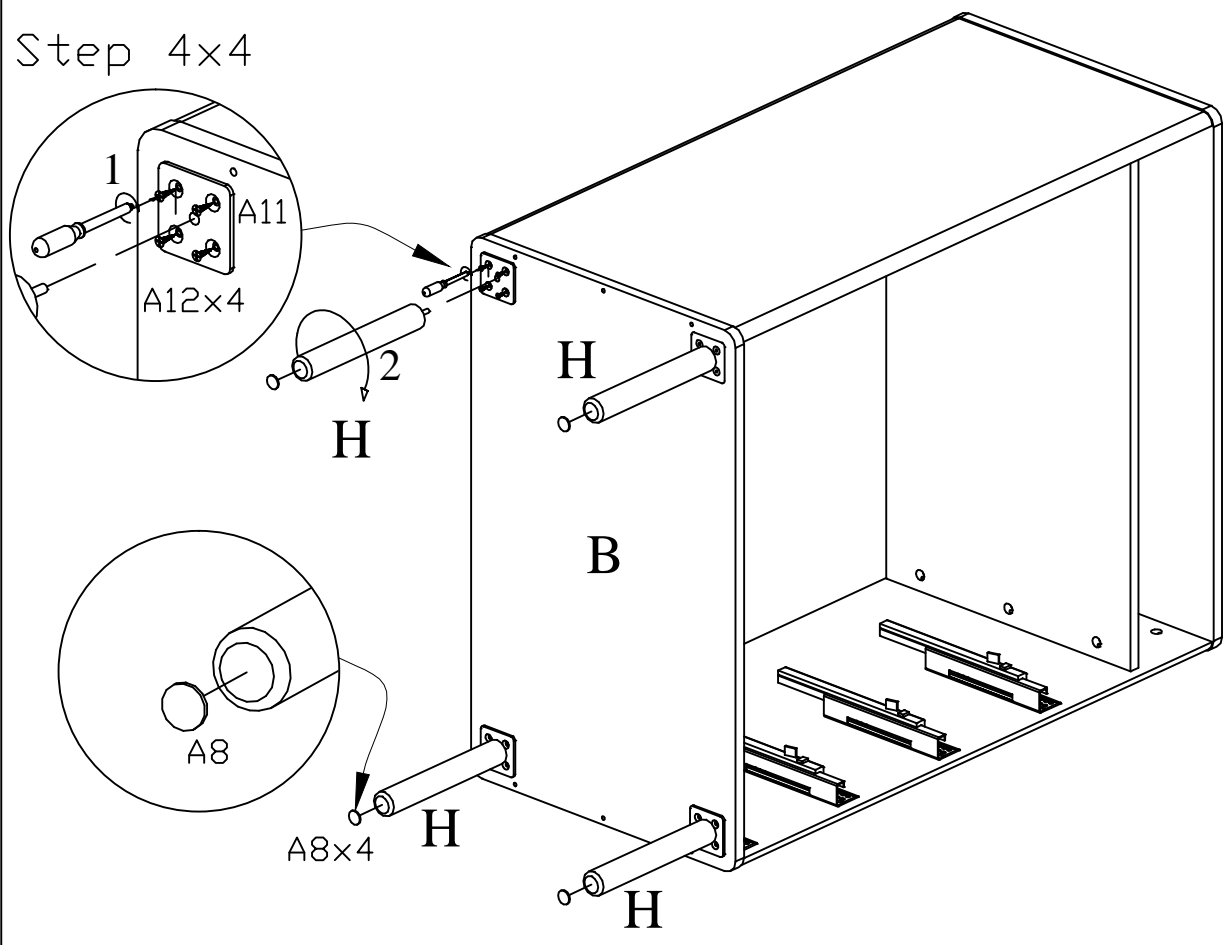
Step 2



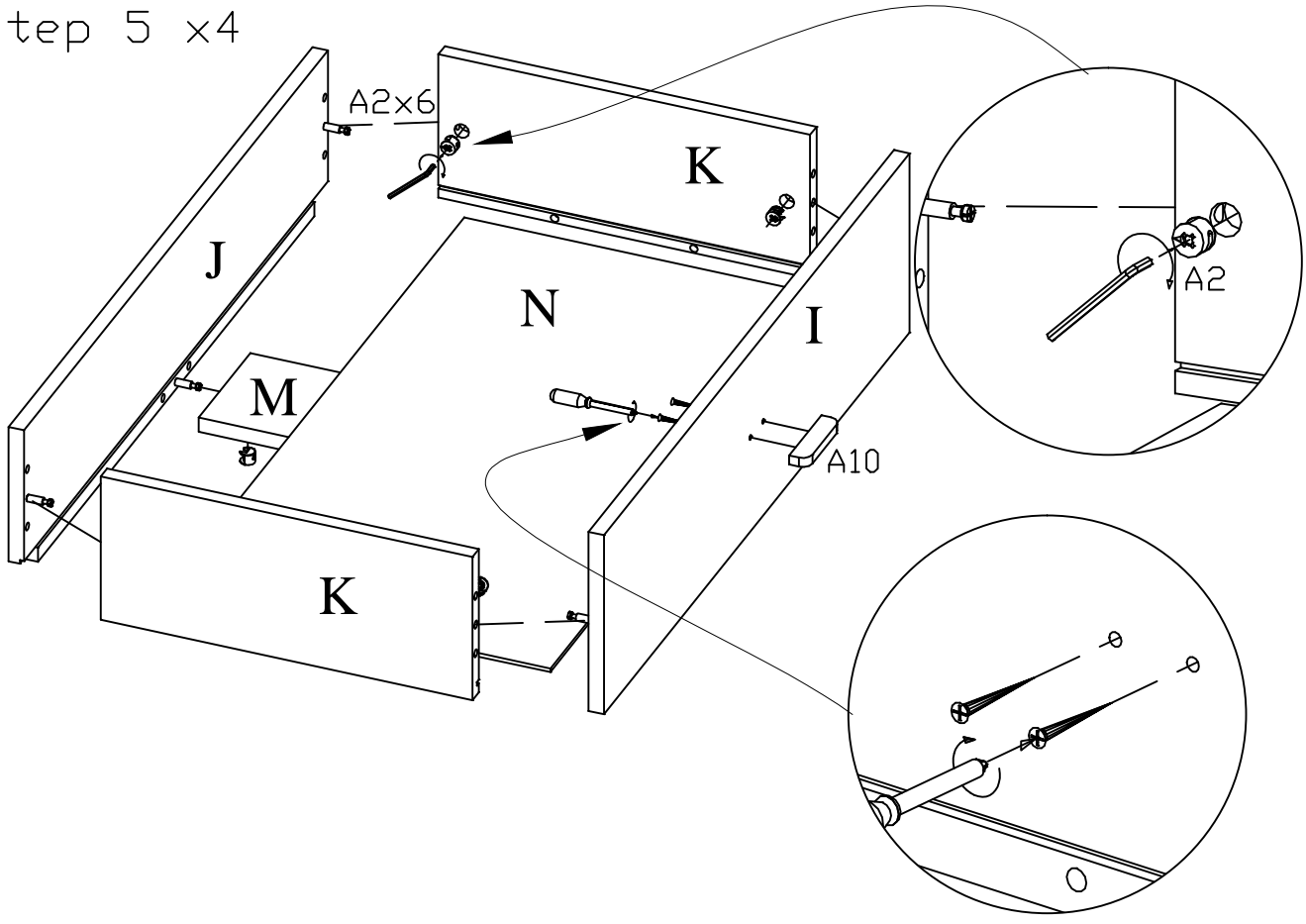
Step 3



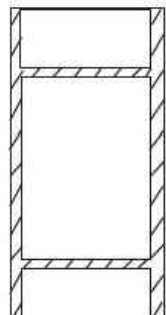
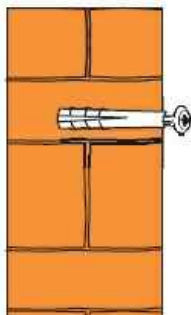
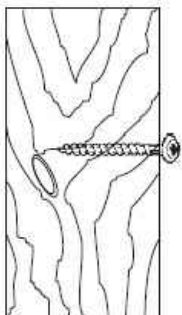
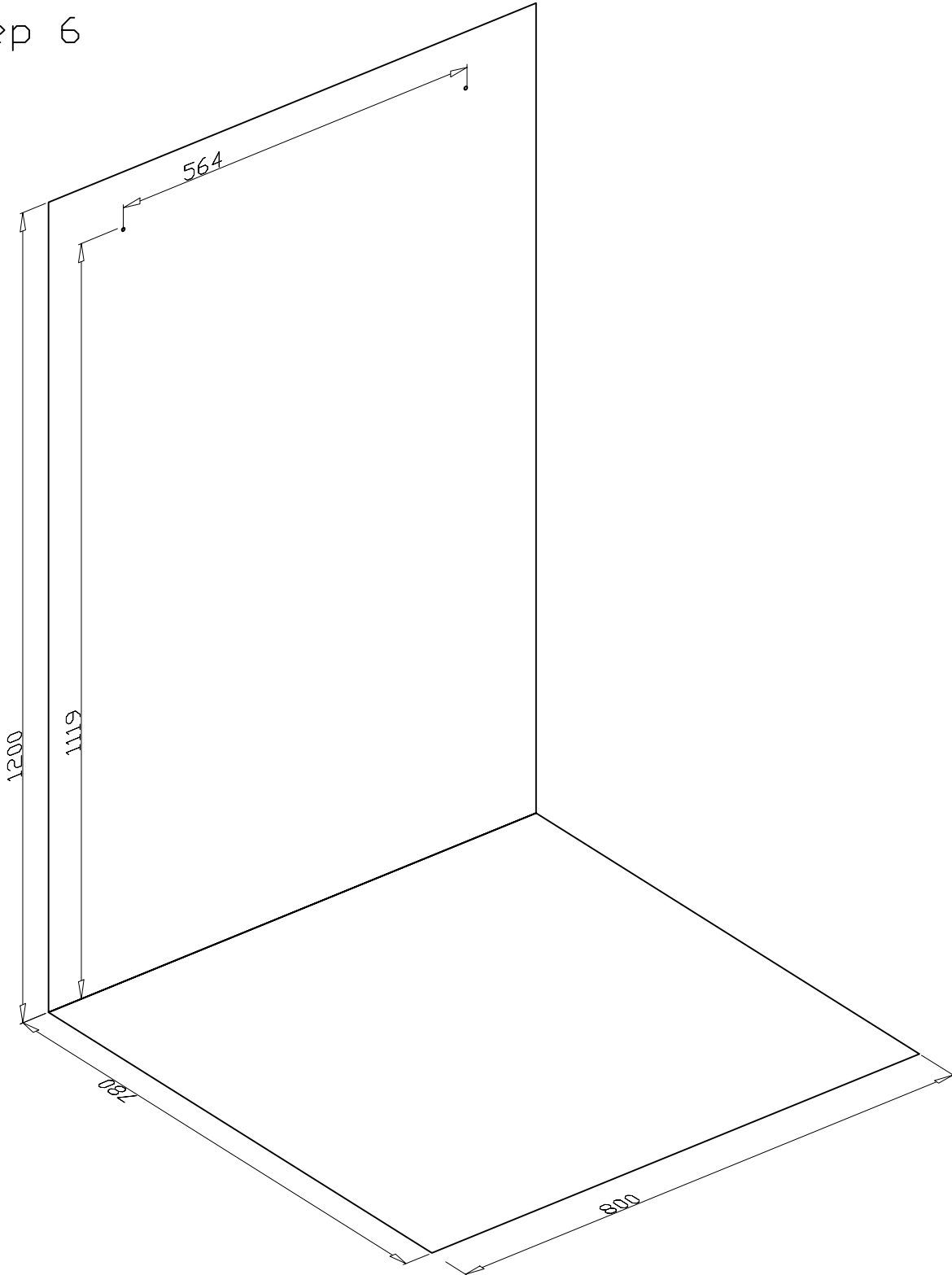
Step 4 x 4



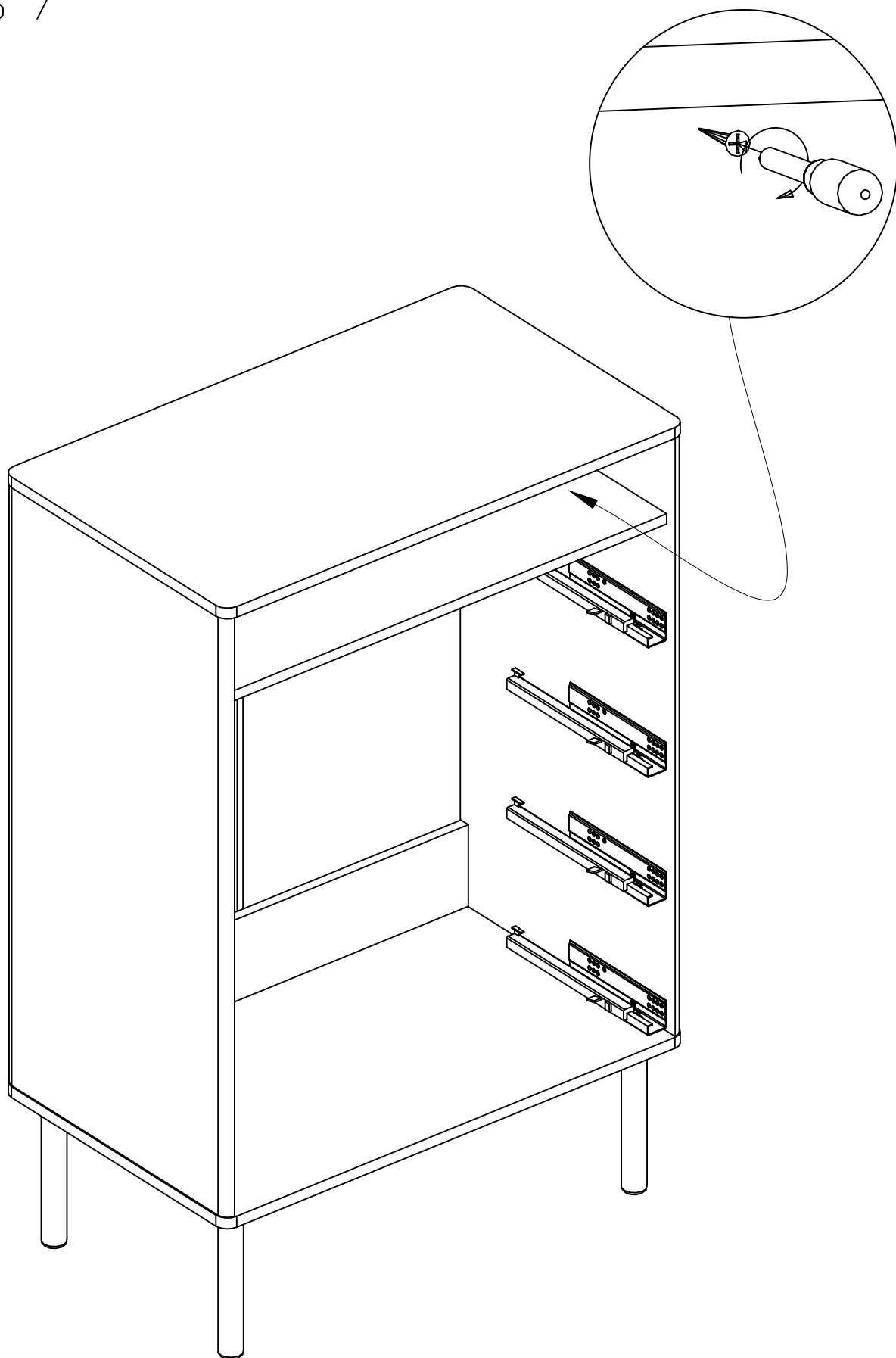
Step 5 x 4



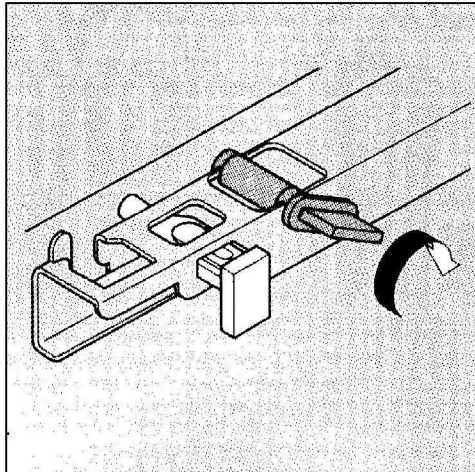
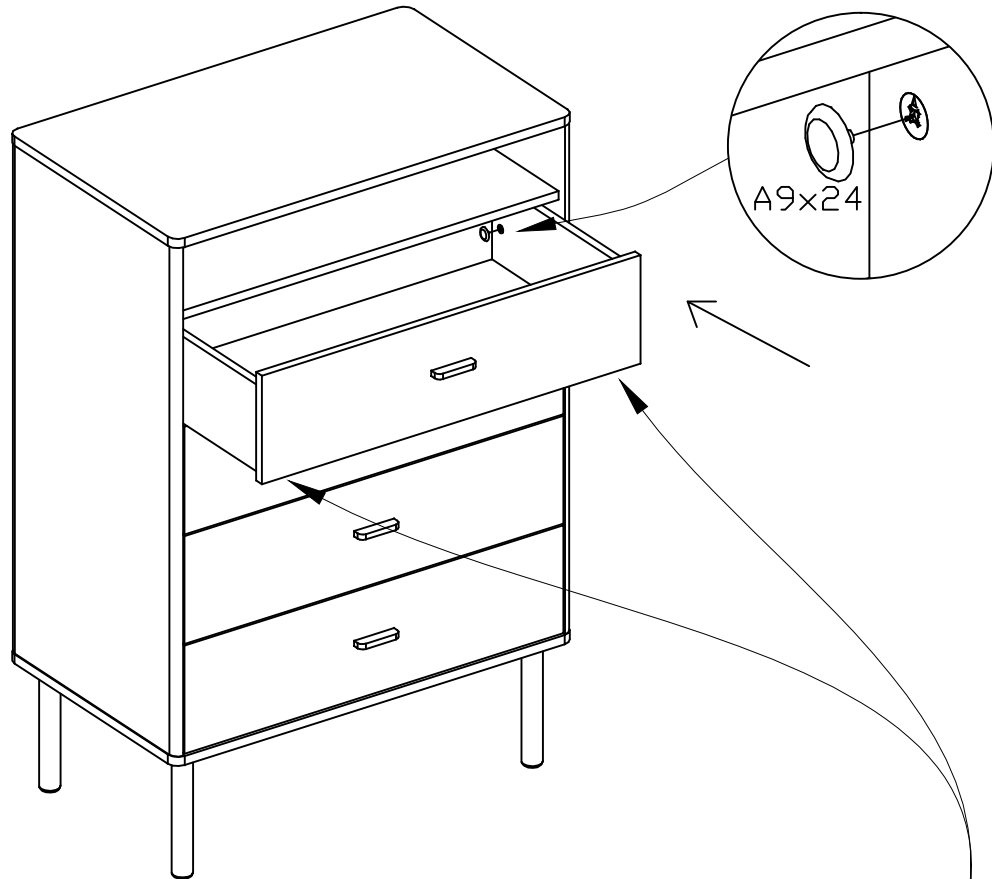
Step 6



Step 7

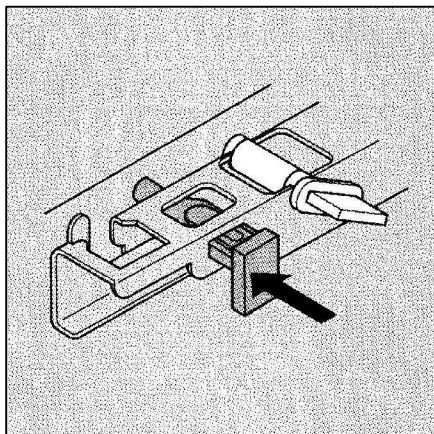


## Step 8



### Height adjustment

It's possible to make height adjustments of up to +2.5 mm. This tool-free feature produces uniform gap alignment.



### Lift-off stop

The lift-off stop prevents drawers and pull-outs from accidentally lifting off the runner. If required, the lift-off stop can be released by pulling a lever.