

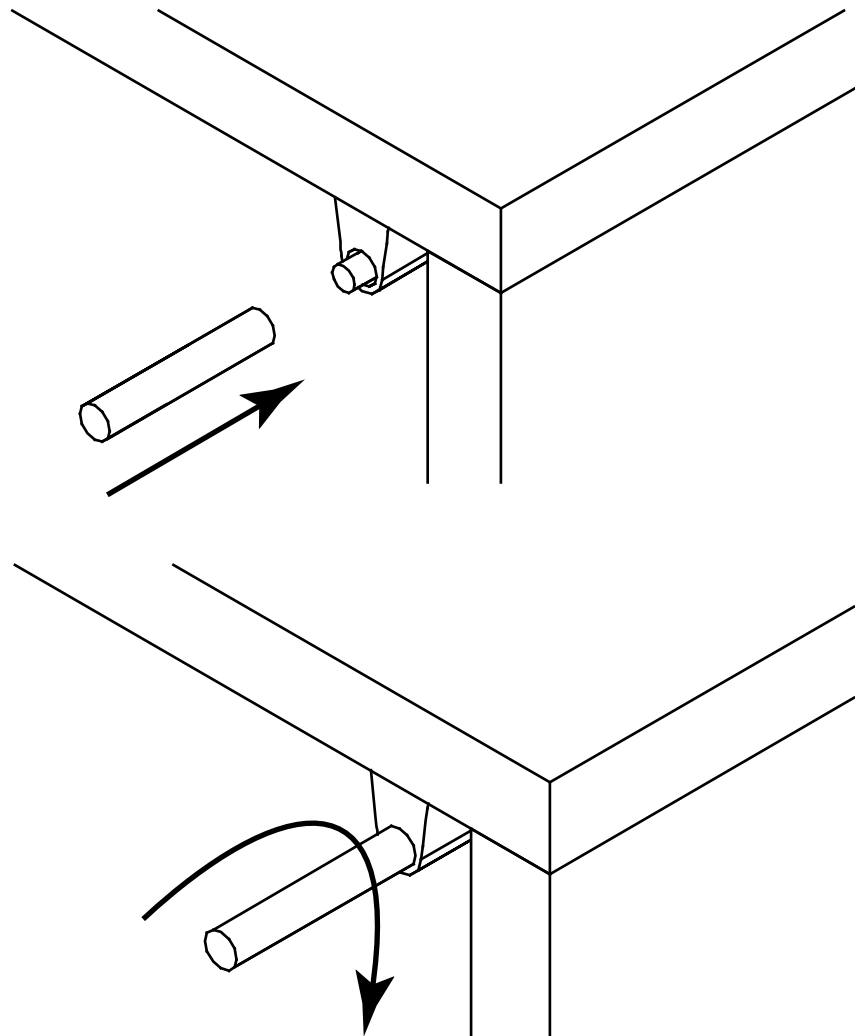
# DK **Montering af “push” system**

IDdesign

*Pushlukning til skænk (vare nr.: IDS)*

# GB **“push” mounting manual**

*Push close for sideboard (Item no.: IDS)*



① <sup>DK</sup> Den løse del trykkes ind i den fastmonterede, og drejes på.

<sup>GB</sup> The part for pushing system must be placed in and turned on.

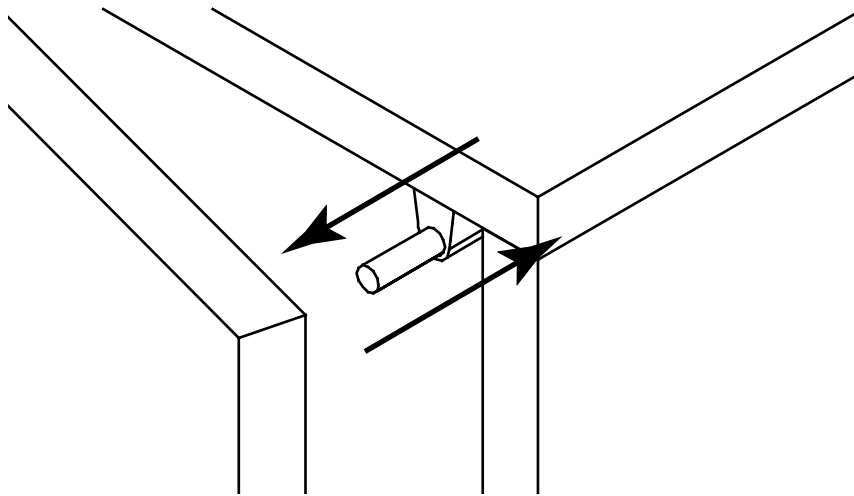
# DK **Montering af “push” system**

IDdesign

*Pushlukning til skænk (vare nr.: IDS)*

# GB **“push” mounting manual**

*Push close for sideboard (Item no.: IDS)*



② <sup>DK</sup> For at sikre at døren lukkes korrekt – anbefaler vi at du regulerer dybden af push mekanismen. Hvis mekanismen eksempelvis er drejet langt ind, vil lågen gå længere ind i skabet før den rammer mekanismen.

<sup>GB</sup> To make sure that the door are closed correctly, it is recommended to regulate the deep when fitting the pushing system. If the system is placed deeper to sideboard automatically the door will go deeper when trying to close.