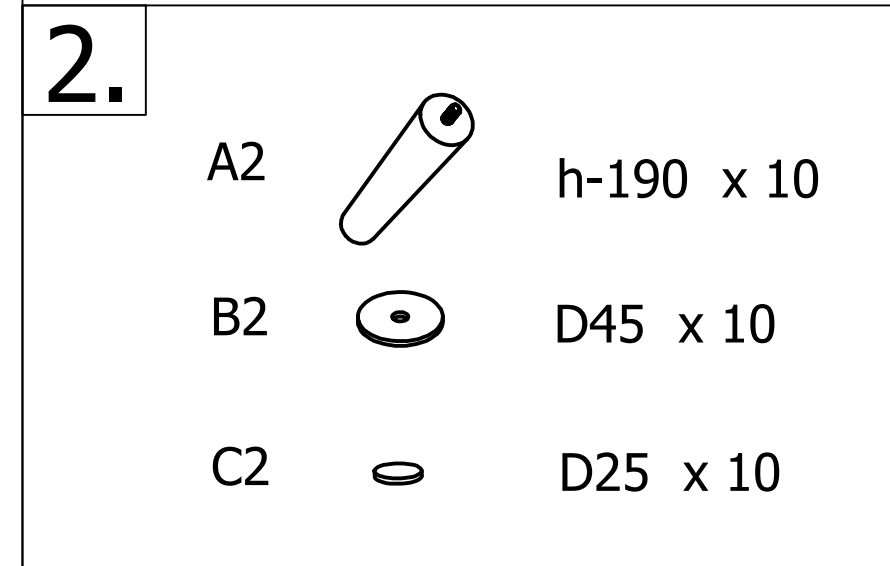
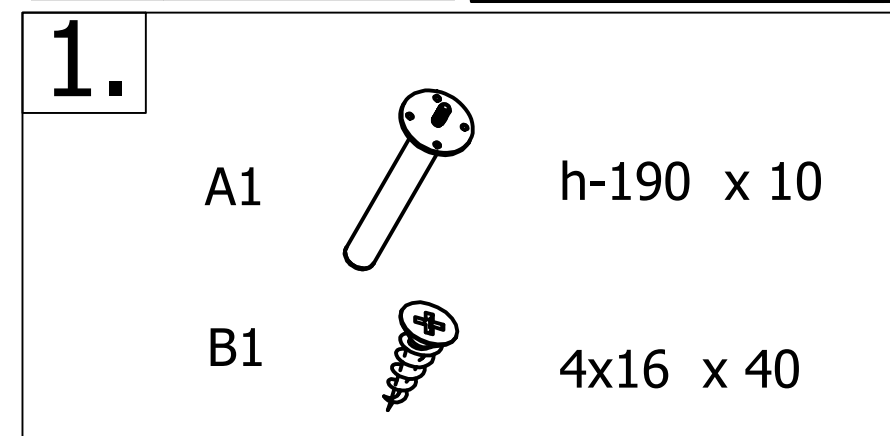
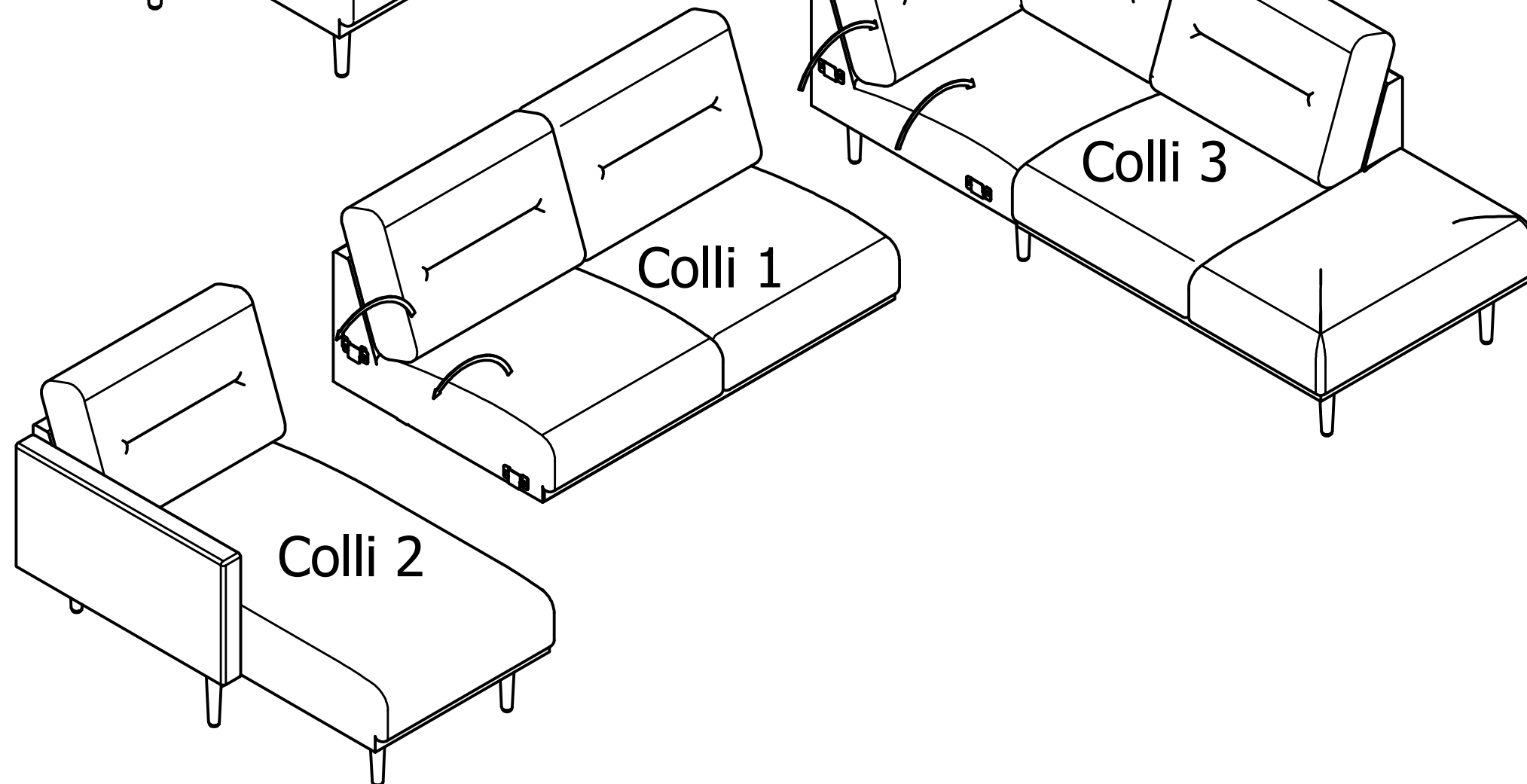
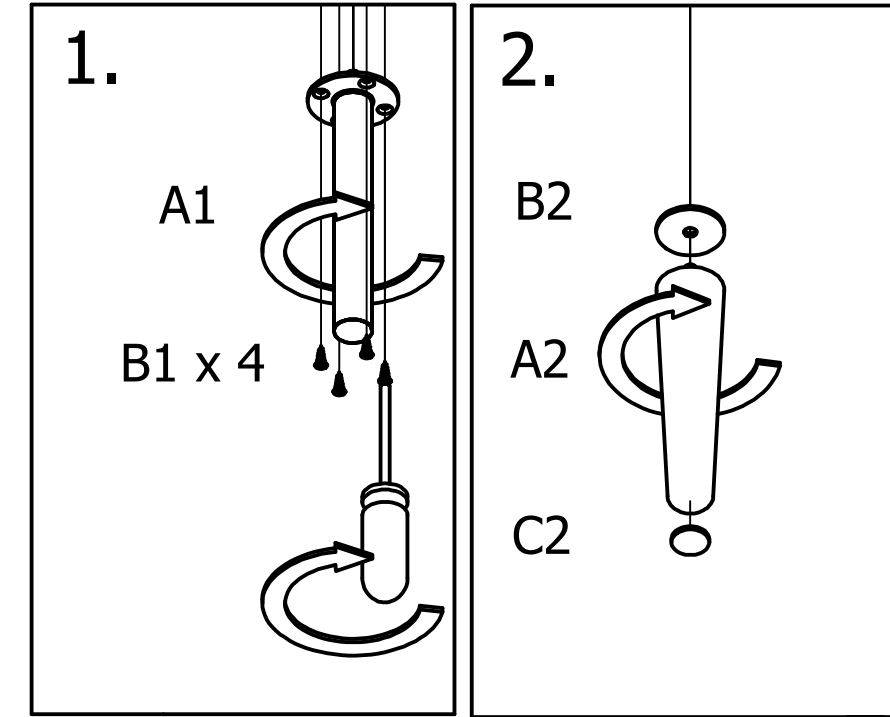
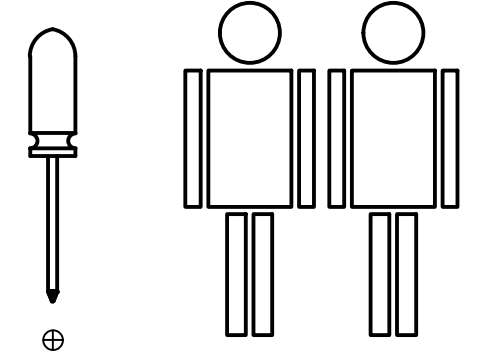
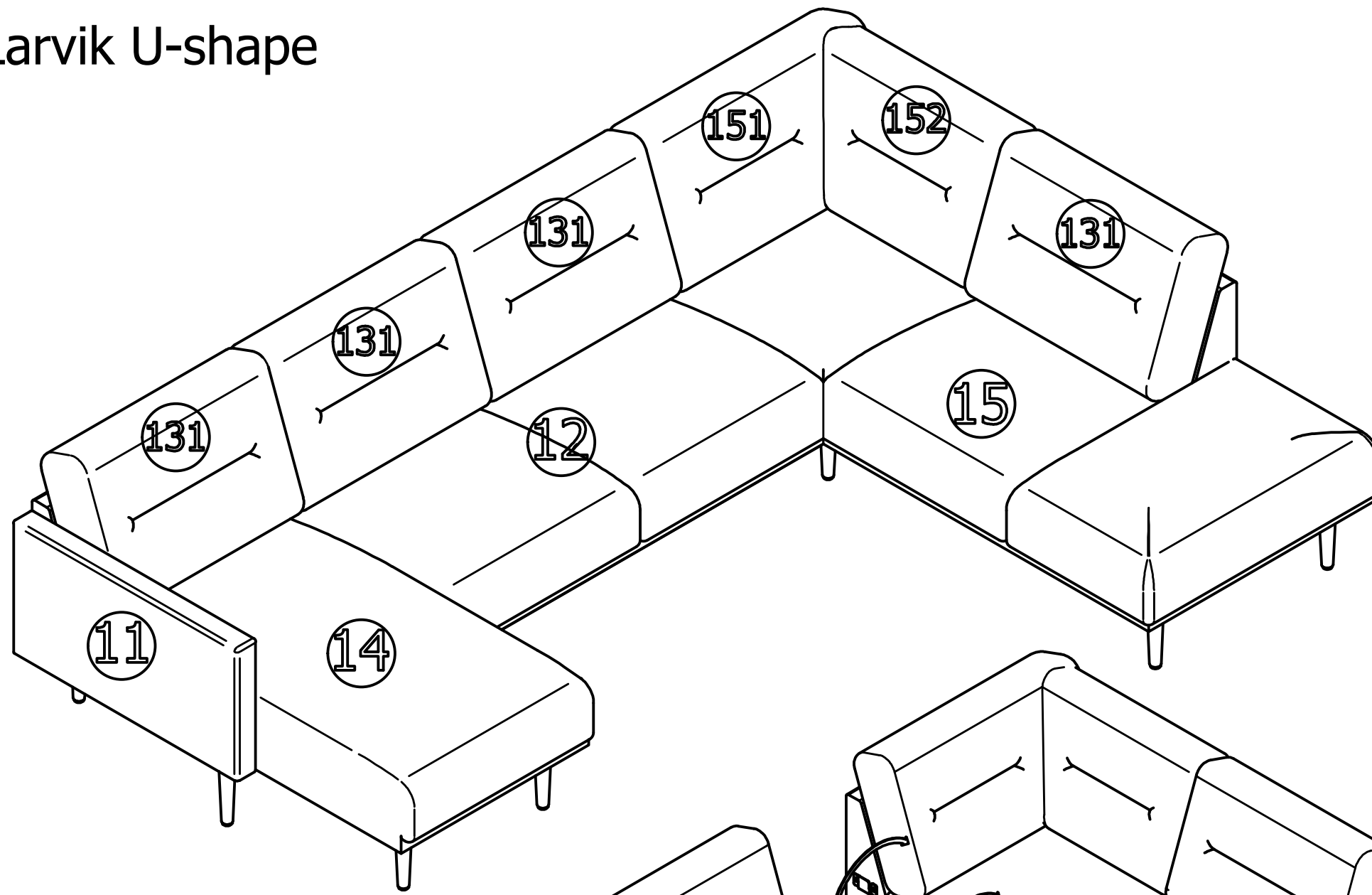
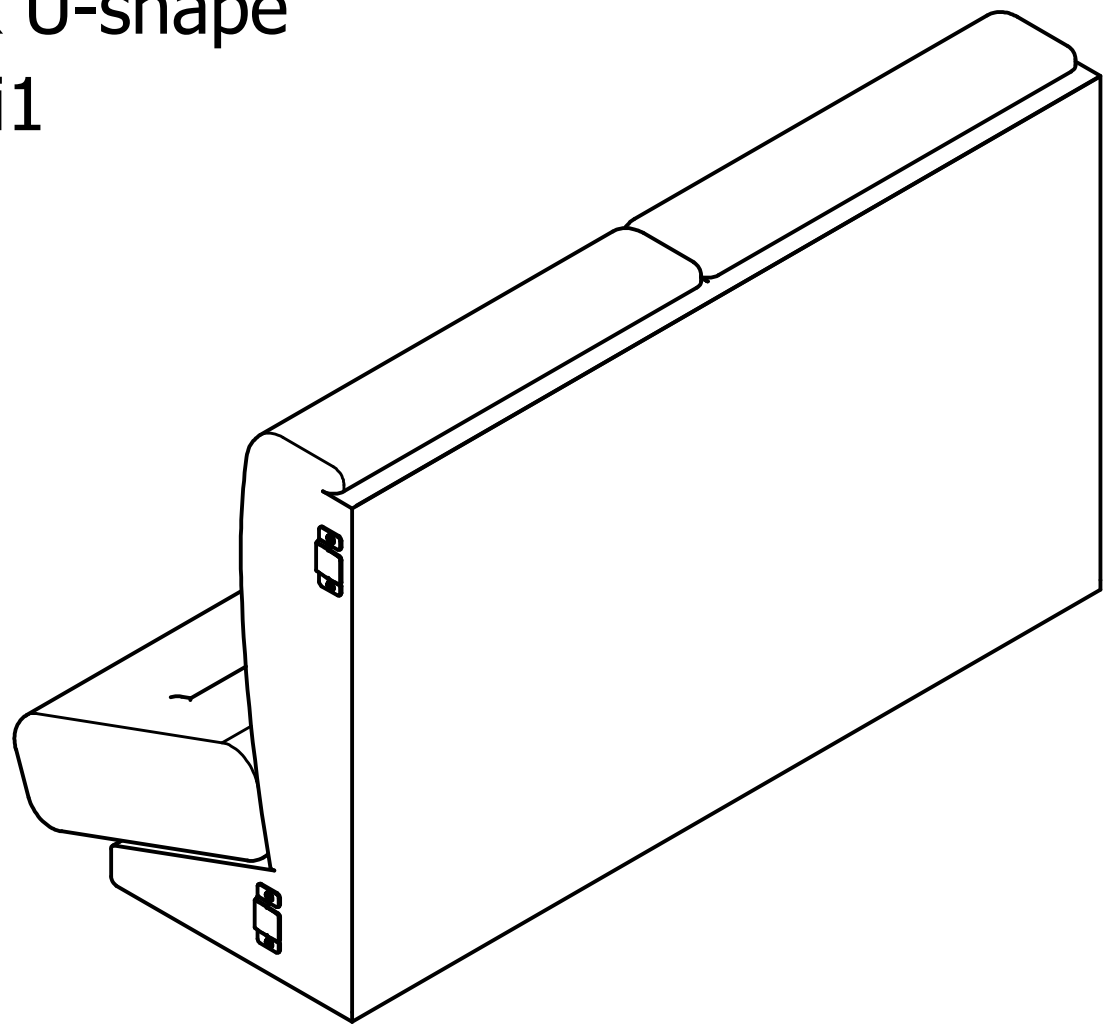


Larvik U-shape

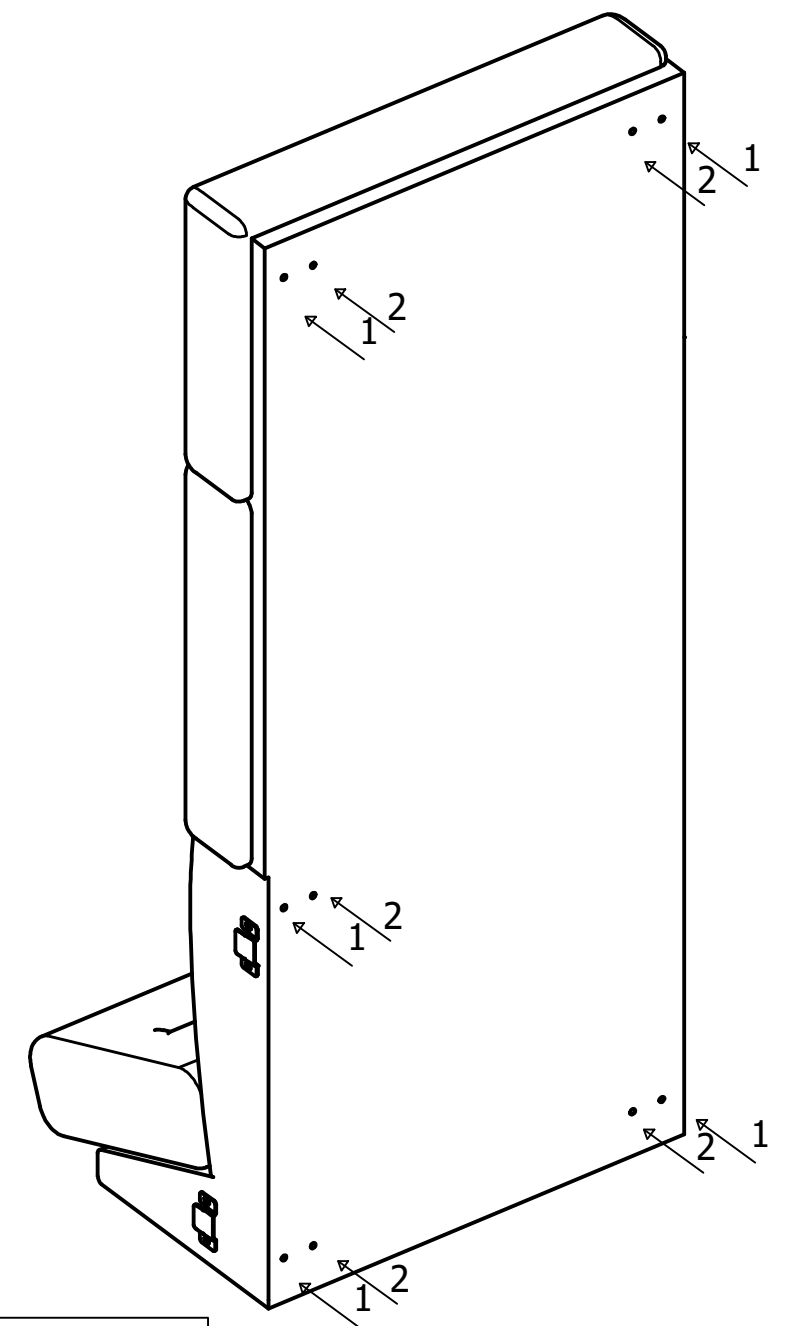


Larvik U-shape

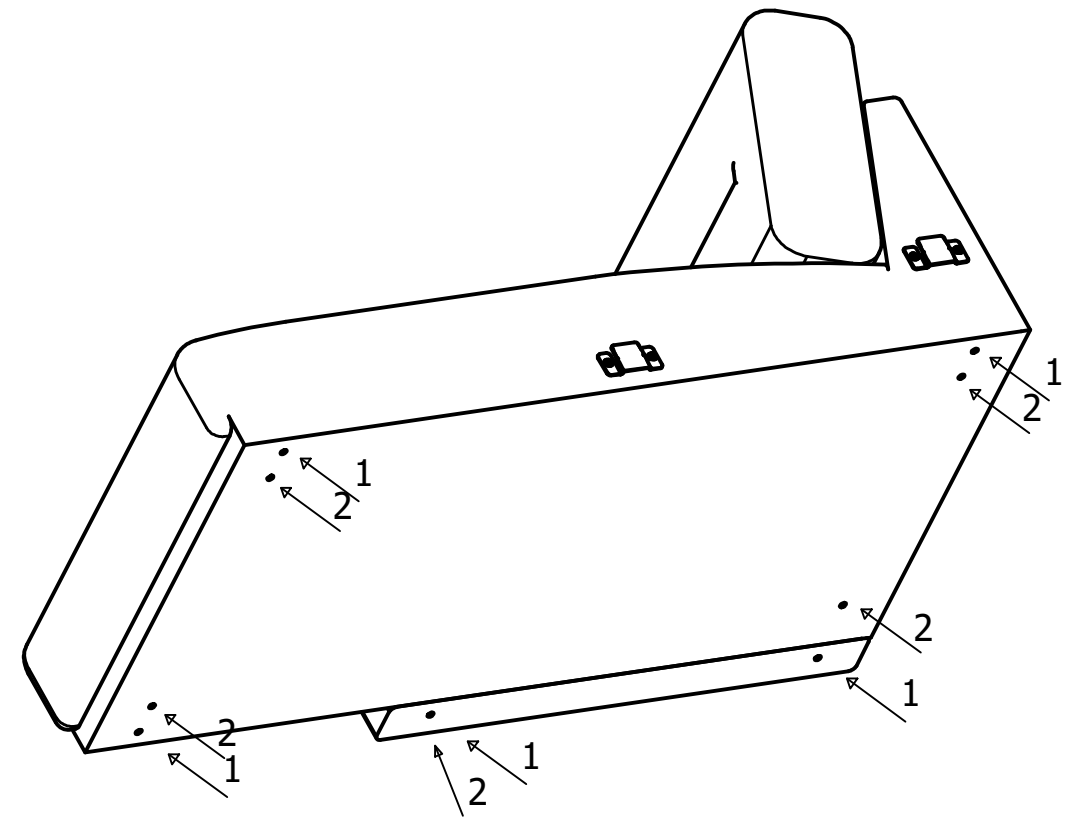
Colli1


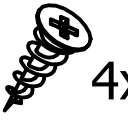





Colli3





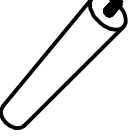


Colli2



- 1.**
- | | | |
|----|---|-----------|
| A1 |  | h-190 X 5 |
| B1 |  | 4x16 X 20 |

- 2.**
- | | | |
|----|---|-----------|
| A2 |  | h-190 X 5 |
| B2 |  | D45 X 5 |
| C2 |  | D25 X 5 |

- 1.**
- | | | |
|----|---|-----------|
| A1 |  | h-190 X 5 |
| B1 |  | 4x16 X 20 |

- 2.**
- | | | |
|----|---|-----------|
| A2 |  | h-190 X 5 |
| B2 |  | D45 X 5 |
| C2 |  | D25 X 5 |

