



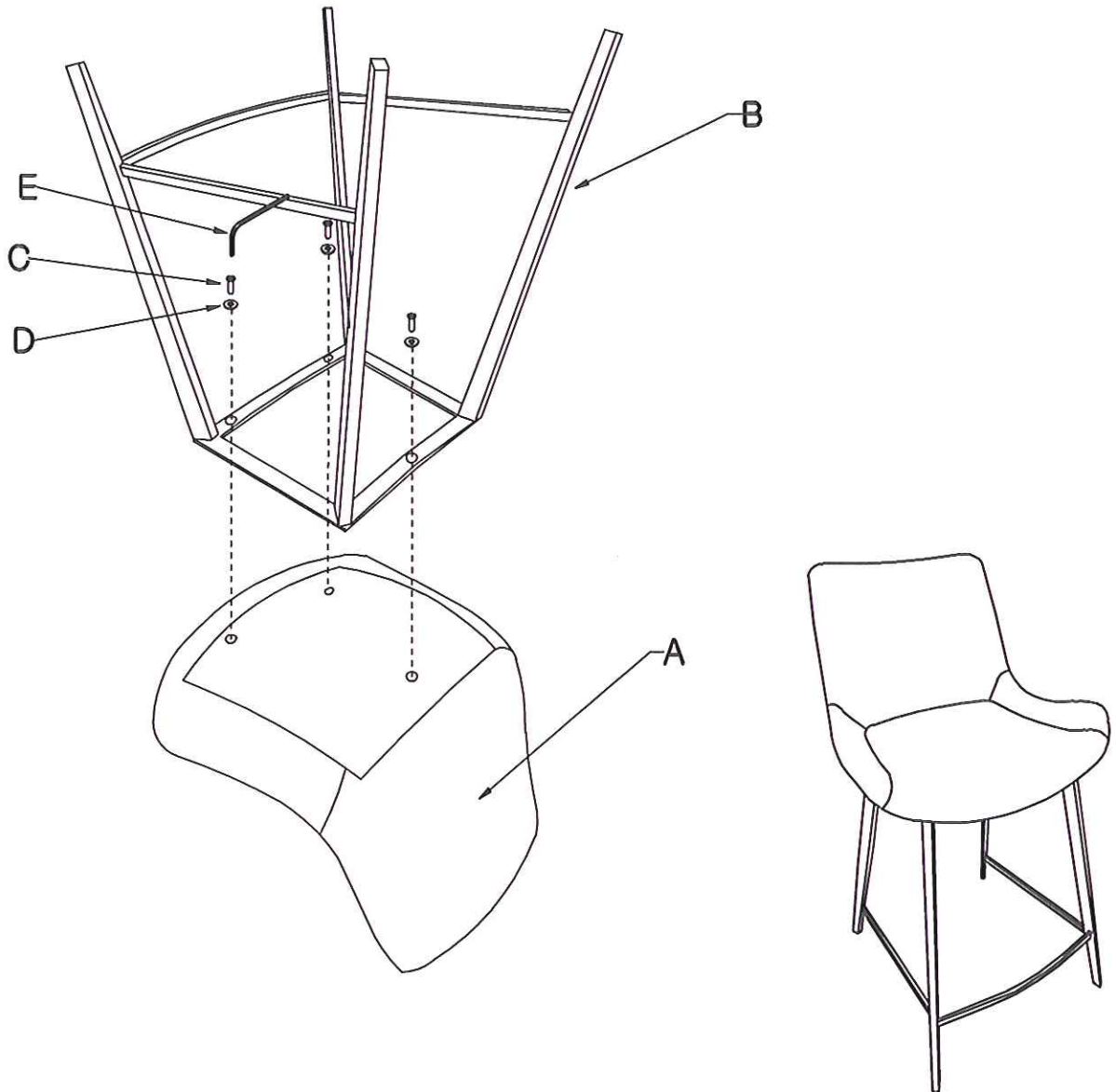
 <p>A X 1X</p>	 <p>B X 1X</p>	 <p>C X 3X M6*20MM</p>	 <p>D X 3X</p>
 <p>E X 1X M4</p>				



**** Please do not use knife to open the EPE foam****