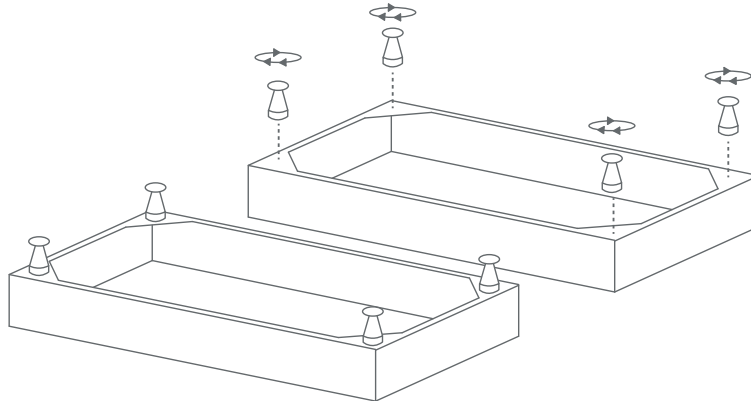


Instruction manual for Fusion beds

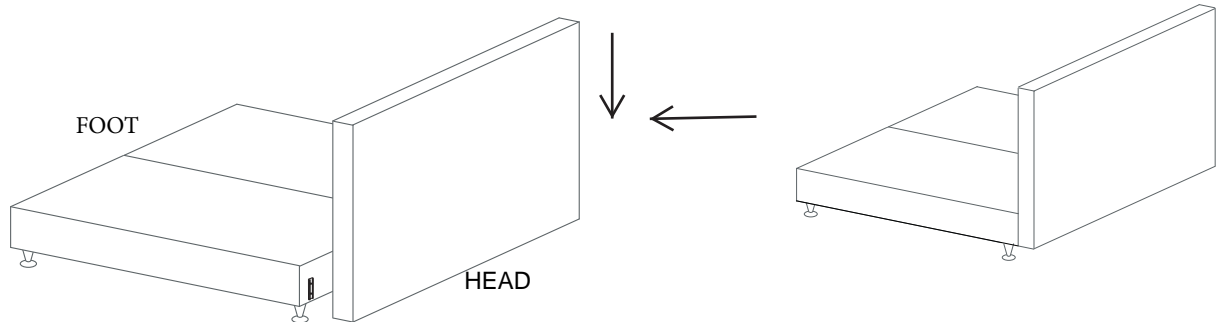
1

ATTACHING
LEGS



2

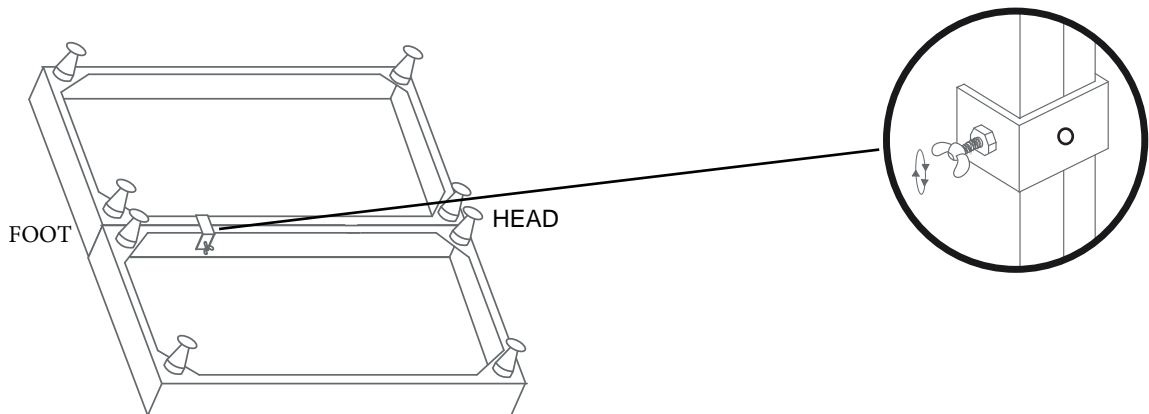
ATTACHING
HEADBOARD



FOR DETAIL INSTRUCTIONS FOR ATTACHING HEADBOARD PLEASE SEE INSTRUCTION ON THE HEADBOARD

3

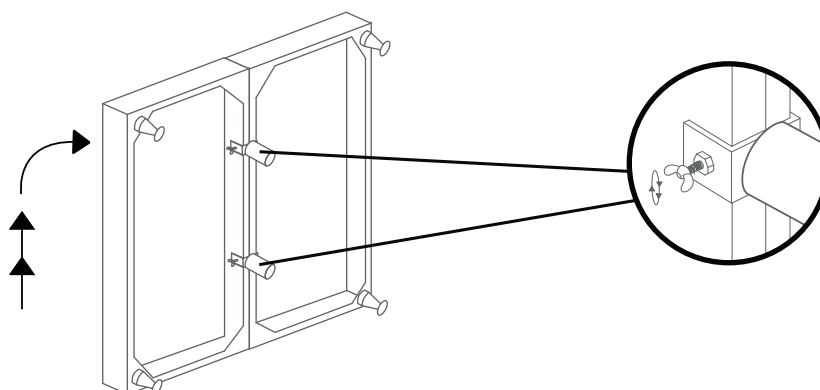
ATTACHING
U-BRACKET



WITHOUT HEADBOARD ATTACH U-BRACKET INTO THE HEAD END ALSO

4

ATTACHING
SUPPORT LEG



FOR DETAIL INSTRUCTIONS FOR ATTACHING SUPPORT LEG PLEASE SEE INSIDE SUPPORT LEG SET