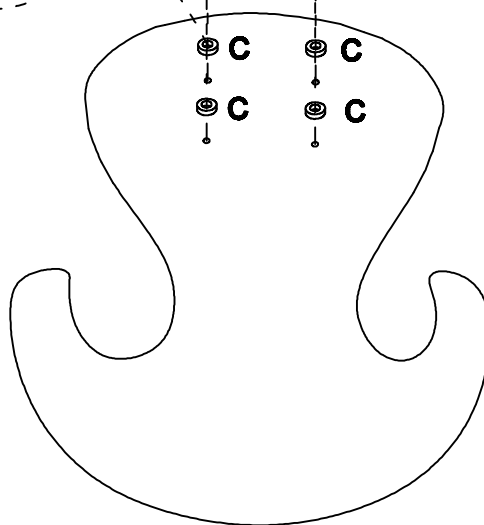
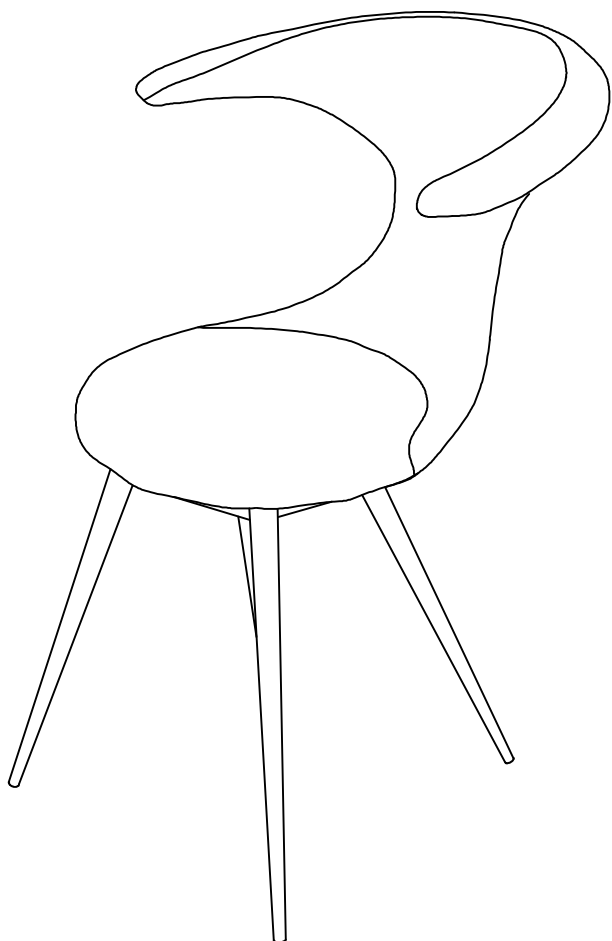
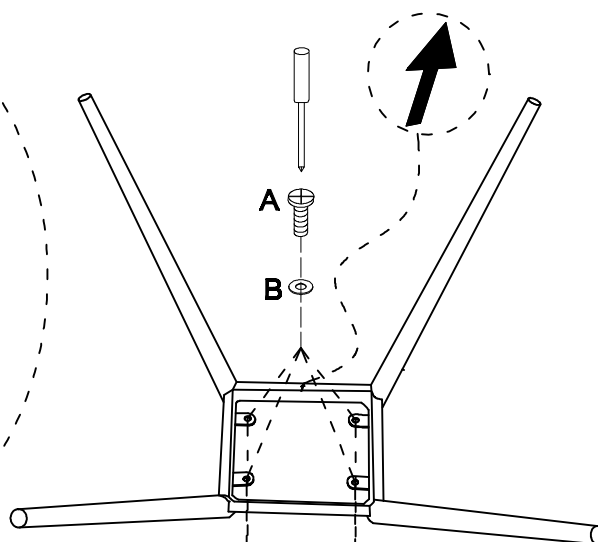
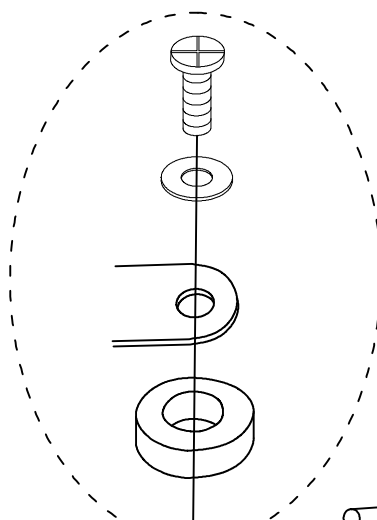


 X4 (A)

 X4 (B)

 X4 (C)



For all velvet products, we recommend to use steamer to take away any unavoidable marks that is caused by transportation.