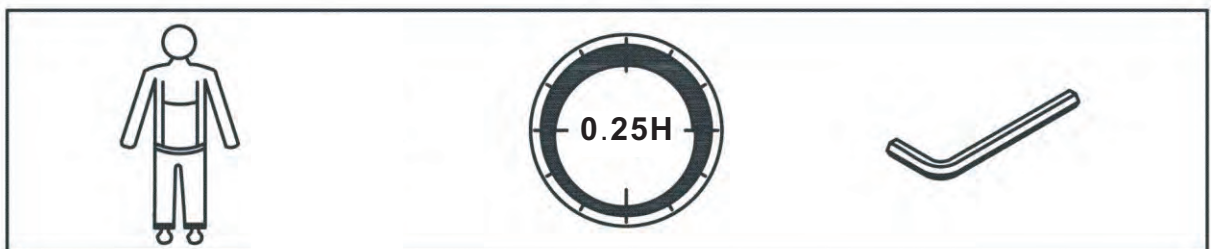
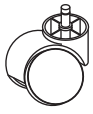


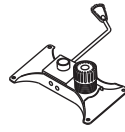
SPEEDY



SPEEDY



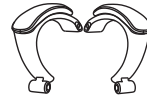
AX5



EX1



BX1



LX1LX1R



CX1



MX1



DX1



NX1



M6*20mmL

FX4



$\phi 18^* \phi 6^* 1.5\text{mmT}$

GX4



M8*30mmL

HX4



$\phi 22^* \phi 8^* 2\text{mmT}$

IX4



M8*45mm

JX4



OX4



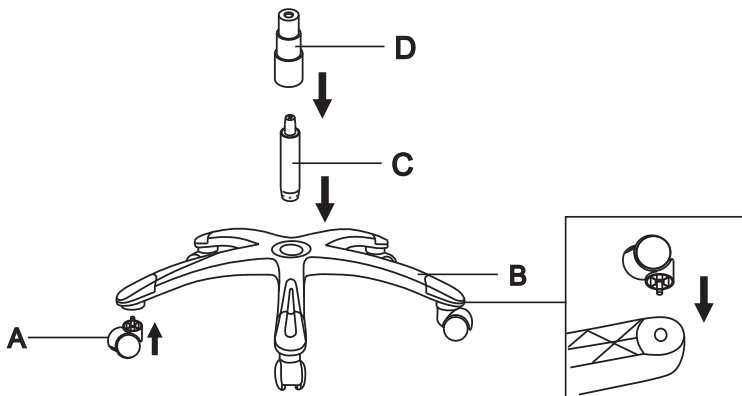
PX2



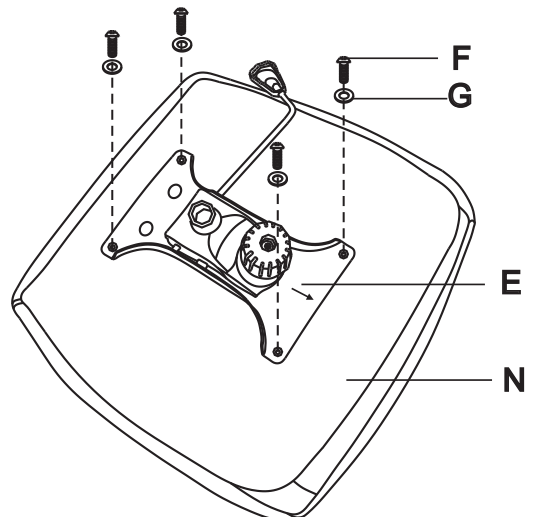
5mm

KX1

1

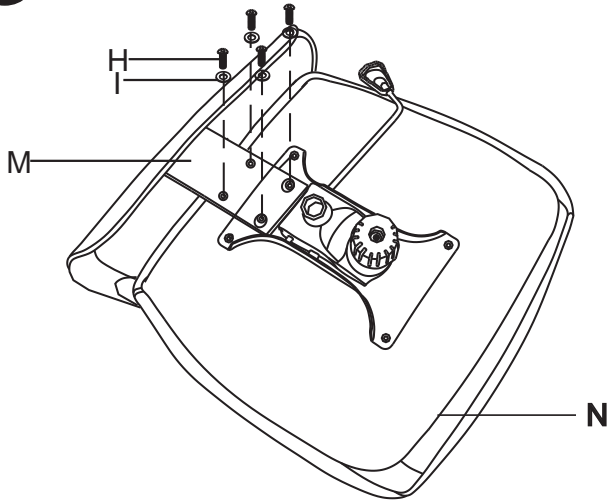


2

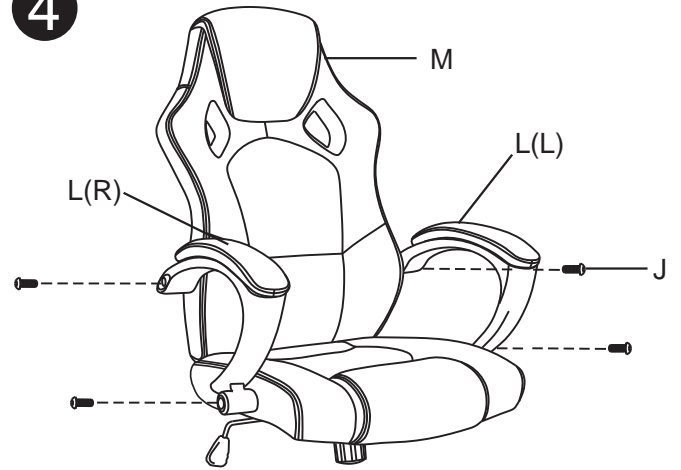


SPEEDY

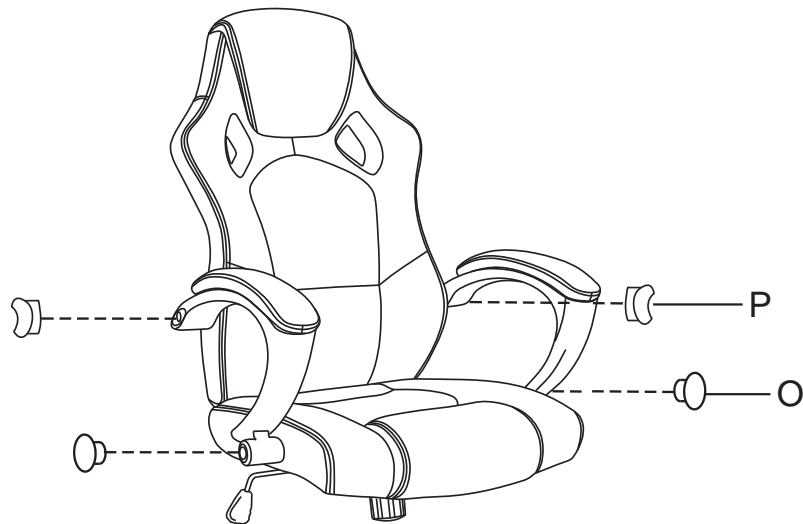
3



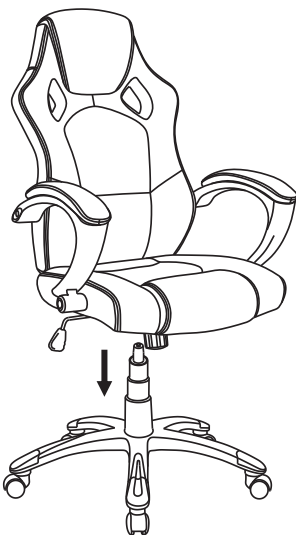
4



5



6



7

